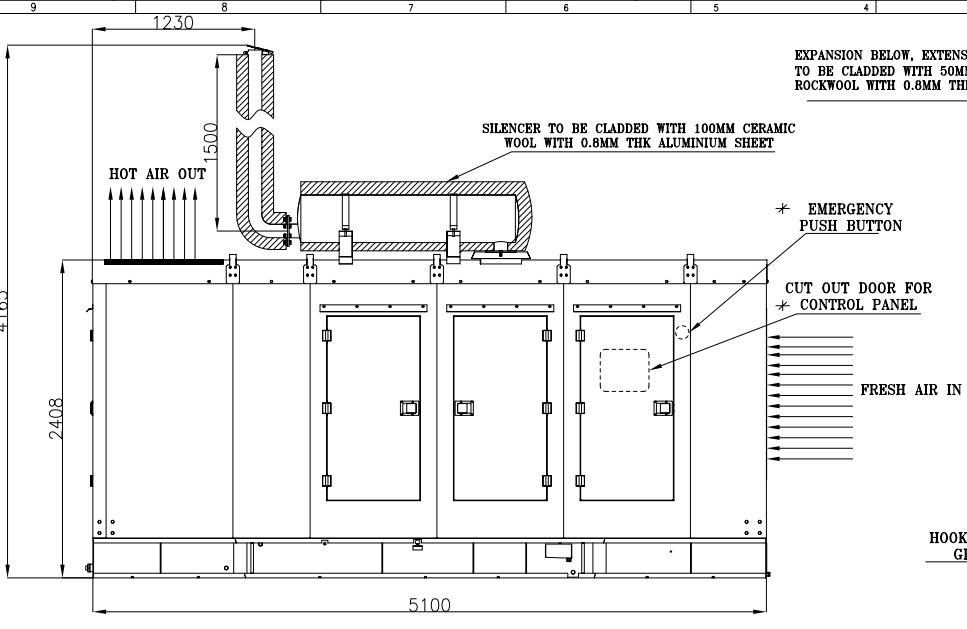
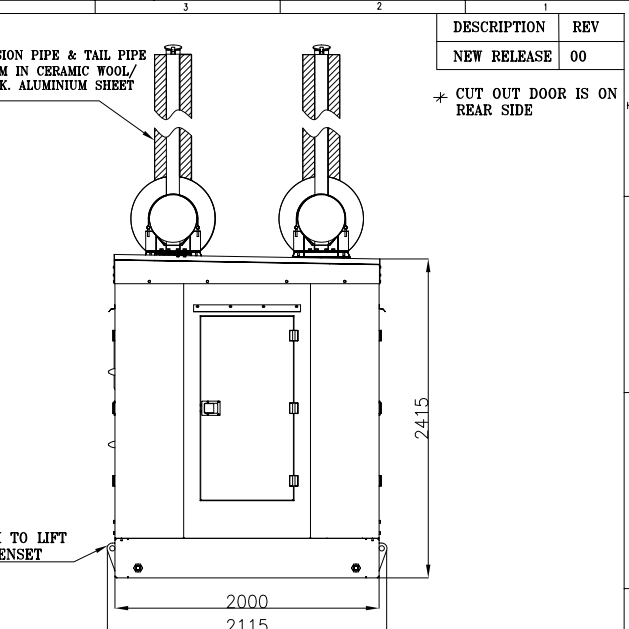


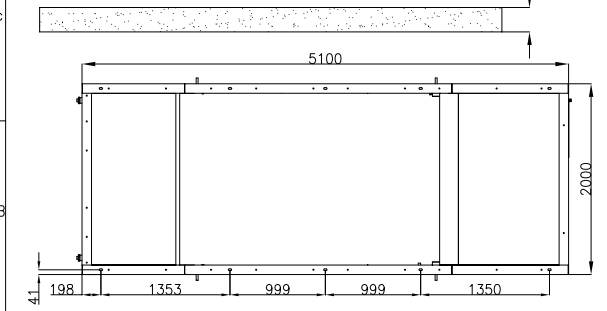
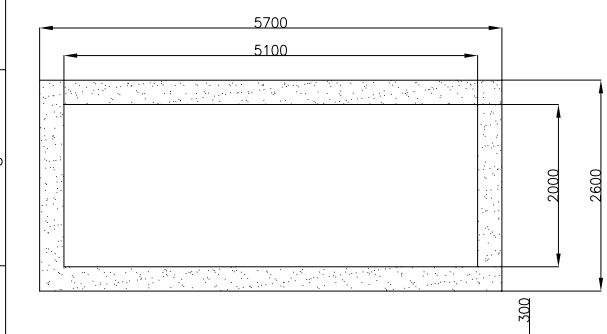
VIEW FROM ALTERNATOR



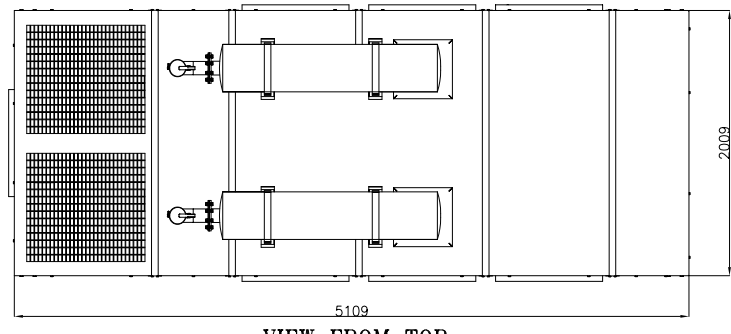
VIEW FROM FRONT



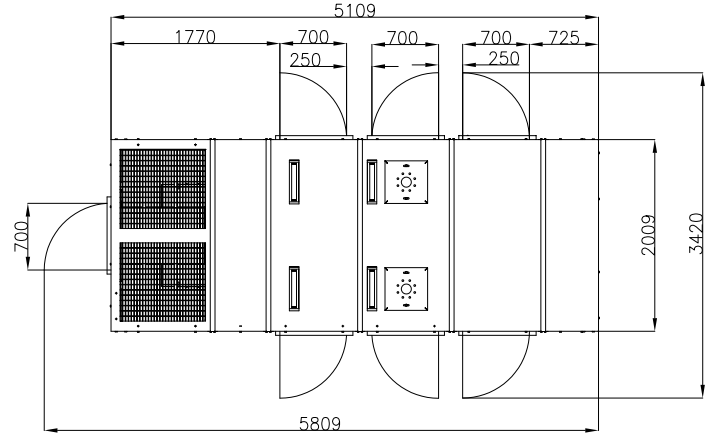
VIEW FROM ENGINE



FOUNDATION LAYOUT



VIEW FROM TOP



INSTALLATION PLAN FOR OPEN DOOR

- NOTES:
1. FUEL TANK CAPACITY: 850 LITRES
 2. HEIGHT OF FOUNDATION ABOVE FFL CAN BE MODIFIED DEPENDING UPON WATER STAGNATION.
 3. DEPTH BELOW FFL DEPEND UPON THE SOIL CONDITION AT SITE
 4. APPROX DEPTH BELOW FFL= 500MM
 5. PCC OR RCC SHALL BE BASED ON SOIL CONDITION.
 6. LENGTH OF GENSET = 5109 MM (16.8ft)
 7. WIDTH OF GENSET = 2009 MM (6.5 ft).
 8. HEIGHT OF GENSET = 4165 MM (13.67ft).

IF IN DOUBT ASK
 PRINTS OF PREVIOUS REVISION NO. SHOULD BE SCRAPPED
 THIS DRAWING IS PROPERTY OF SUNBEAM GENERATORS PVT LTD. AND MUST BE RETURNED ON REQUEST. IT IS SUBMITTED AS CONFIDENTIAL INFORMATION WITH OUR ENQUIRY, TENDER, ORDER OR CONTRACT NO. IT IS NOT TO BE ISSUED FOR ANY OTHER PURPOSE OR ORDER NOR MAY BE COPIED OR LENT WITHOUT OUR AUTHORITY IN WRITING.

UNLESS OTHERWISE SPECIFIED		CAD ORG. FILE:-		PLM		LIFECYCLE STATE:-		RELEASED	
• ALL DIMENSIONS ARE IN mm.		MATERIAL :-		HEAT TREATMENT :-		WEIGHT (kg) :-		CASTING/FORGING ORG. NO.	
• SURFACE ROUGHNESS AS PER CO. STANDARD.		AS PER BOM		---		---		---	
• UNDIMENSIONED TOLERANCES AS PER IS:8013/1999/IN.		DRN		TITLE		TYPE		DV8	
• SHOWING ALL SHARP EDGES AND SHARP EDGES.		CHD.		DVB GENSET LAYOUT		SCALE		1 OF 1	
• DRAWING NOT TO BE SCALED.		APPD.		320 KVA		REV. NO.		01	
UNMENTIONED		DATE		SUNBEAM GENERATOR PVT LTD., PUDUCHERRY (INDIA)		DRAWING NO.		SBG/GA-FND-325KVA	
RADI		---		---		---		---	
CHAMFER		---		---		---		---	
UNDERCUT		---		---		---		---	
NEW RELEASE		---		---		---		---	
NO.	REVISION	ZONE	MODIFIED BY	REF. No. DATE	NO.	REVISION	ZONE	MODIFIED BY	REF. No. DATE